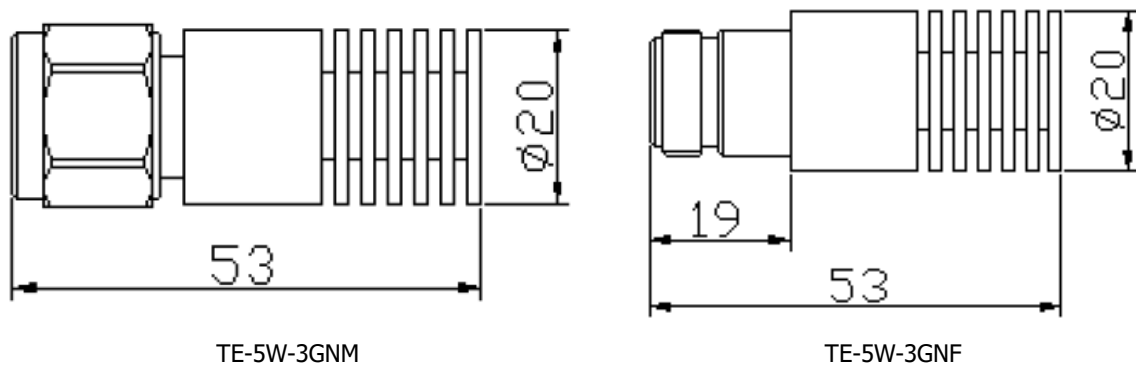


5W Dummy Load

Specification of 5W, N Type Termination Load (DC-3GHz):

Item	Specification	
Model	TE-5W-3GN/M	TE-5W-3GN/F
Power (Average)	5W	
Power (Peak)	1.5KW	
Frequency Range	DC-3000MHz	
VSWR	≤1.15	
Impedance	50 Ω	
Connector Type	N/Male	N/Female
Inner Contact Plating	Silver Plate	
Outer Contact Plating	Trimetal	
Body Color	Black	
Radiator	Aluminum	
Temperature	-35°C ~ +80°C	
Annotation	IP65 , Indoor/Outdoor Use , RoHS Compliant	

Production Drawing:



Note: The picture and the specification are just for reference. Be subject to the actual products if anything different or updated, Please pardon for without notice.